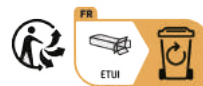


4-BURNER CABINET GAS GRILL

4 BRENNER SCHRANK GASGRILL

4 BRÛLEURS ARMOIRE BARBECUE À GAZ



FOR YOUR SAFETY!

Use outdoors only!
Read the instructions before
assembling and using the appliance.

ZU IHRER SICHERHEIT!

Verwenden Sie es nur im Freien!
Lesen Sie die Anleitung, bevor Sie das
Gerät zusammenbauen und benutzen.

POUR VOTRE SÉCURITÉ!

Utilisez uniquement à l'extérieur!
Lisez les instructions avant
d'assembler et d'utiliser l'appareil.

CONTACT US FIRST!

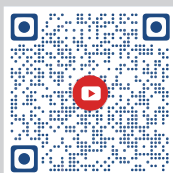
If you have any questions that are
not addressed, please contact us first.

KONTAKTIEREN SIE UNS ZUERST!


Wenn Sie Fragen haben, die nicht
adressiert, kontaktieren Sie uns bitte zuerst.

CONTACTEZ-NOUS D'ABORD!

Si vous avez des questions qui ne
sont pas traitées dans ce manuel de
l'utilisateur, contactez-nous d'abord.



Customer Service / Kundendienst / Service de Clientèle

 service@royalgourmeteu.com

Learn more at / Erfahren Sie mehr unter / Pour en savoir plus:

www.royalgourmeteu.com

CONTENTS

For Your Safety	2-3
General Information and Instructions	4-6
Operating Instructions	7-8
Cleaning and Maintenance	9-10
Troubleshooting Guide	11-12
Meat Temperature Guide	13
Warranty and Customer Service	14

DANGER

If you smell gas:

1. Shut off gas supply to the grill.
2. Extinguish any open flame.
3. Open the lid.
4. If odor remains, keep away from the grill and immediately call your fire department.

NOTE: Read all instructions prior to assembly and use. Failure to follow the instructions in this manual could result in bodily injury and/or property damage.

WARNING

1. Do not store or use gasoline or other flammable liquids or vapors in the vicinity of this or any other appliance.
2. A gas cylinder not connected for use shall not be stored in the vicinity of this or any other appliance.

In case of any issue, call us first! **DO NOT** return the grill to the retailer. This grill has been made to high quality standards. If you have any questions not addressed in this user's manual, or you need parts, please call our customer service hotline.

⚠ CAUTION ⚠

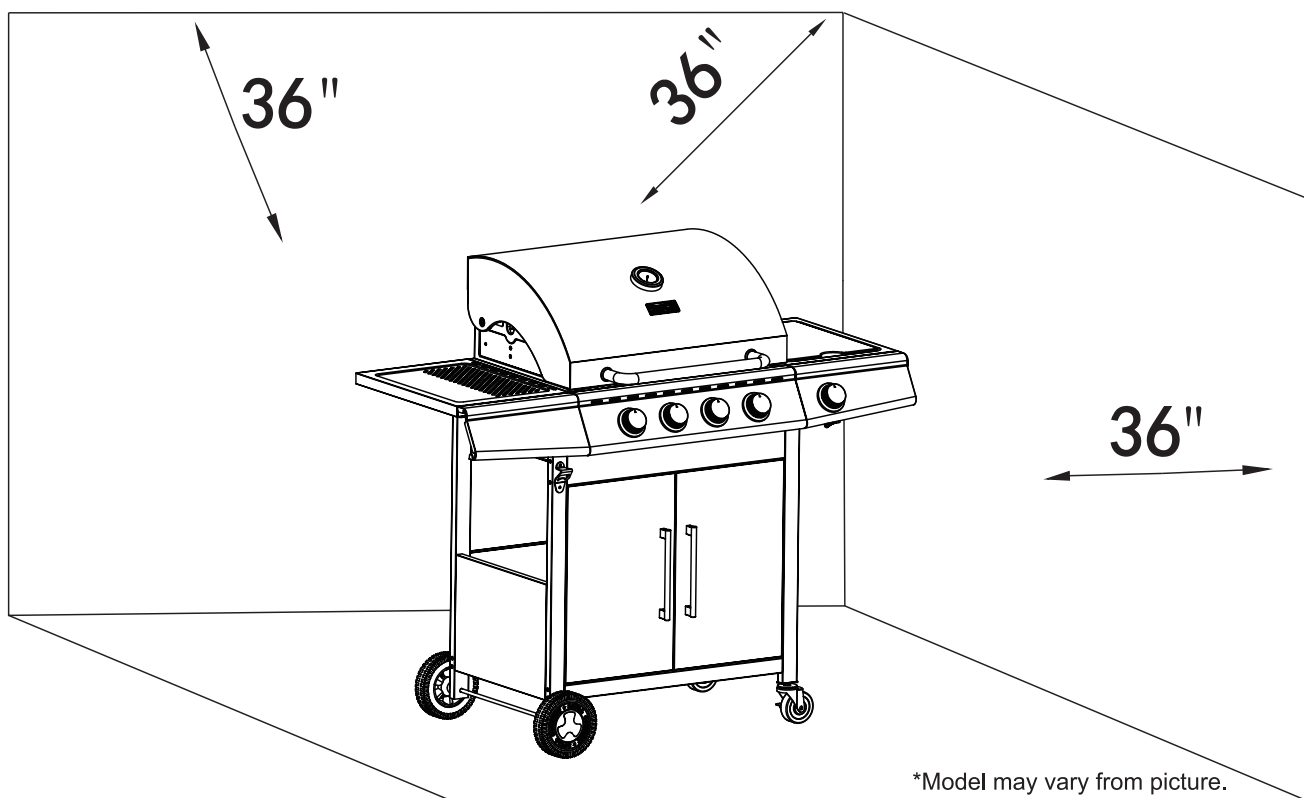
1. The gas grill is meant for use with gas cylinder (gas cylinder not included).
2. Never use charcoal or lighter fluid with gas grill.
3. Never attempt to attach this grill to the self-contained propane system of a camper trailer, motor home, or house.
4. **DO NOT** use gasoline, kerosene, or alcohol for lighting. This grill is not intended to be used in or on recreational vehicles or boats. This appliance is not intended for commercial use.
5. Children should never use your grill. Keep children and pets away when in use.
6. **DO NOT** attempt to move the grill while it is lit or hot. **DO NOT** alter the grill in any manner.
7. **DO NOT** use the grill unless it is completely assembled, and all parts are securely fastened and tightened.
8. **DO NOT** use the grill or any gas products near unprotected combustible buildings and materials.
9. **DO NOT** use in the presence of gases or vapors. Keep the grill area clear and free from combustible materials, gasoline, and other flammable vapors and liquids.
10. **DO NOT** touch metal parts of the grill until it has completely cooled (about 45 minutes) to avoid burns, unless you are wearing protective gear (oven mitts, potholders, etc.).
11. Keep the grill at least 91 cm (36 inches) from any wall or surface at all times. Maintain at least 10 feet (3 m) clearance to combustible objects that can catch fire.
12. Do not operate this appliance under any overhead roof construction or foliage.
13. Clean and inspect the hose before each use. If there is evidence of abrasion, wear, cuts, or leaks, the hose must be replaced before operating the grill. The replacement hose assembly must be as per the manufacturer specifications specified by the manufacturer.
14. Move the gas hose as far away as possible from hot surfaces and dripping hot grease.
15. Never keep a filled gas cylinder in a hot car or truck. Heat may cause the gas pressure to increase, which may cause the relief valve to open and allow the gas to escape.
16. Keep the grill's valve compartment, burners, and circulating air passages clean. Inspect the grill before each use. When cooking with oil/grease, do not allow the oil/grease to exceed 177 °C (350 °F).
17. Do not obstruct the air flow for combustion and ventilation.
18. Keep the ventilation openings of the cylinder enclosure free and clear from debris.
19. Please keep this Owner's Manual for future reference.

⚠ WARNING ⚠


1. This grill is for **Outdoor Use Only** and should not be used inside a building, garage, or any other enclosed space.
2. The consumption of alcohol, prescription, or non-prescription drugs may impair the operators' ability to properly assemble or safely operate the grill.
3. Always open the grill lid slowly and carefully as heat and steam trapped within the grill can cause severe burns.
4. Always place your grill on a hard and level surface far away from combustibles.
5. Do not leave a lit grill unattended. ALWAYS keep children and pets away from the grill.
6. Do not place the grill on any type of tabletop surface.
7. Do not use the grill in high winds.
8. Do not use the grill to cook excessively fatty meat or other fatty or greasy food where there is risk of flare-ups.

⚠ FOR YOUR SAFETY ⚠

1. Keep the grill at least 91 cm (36 inches) from any wall or surface at all times. Maintain at least 10 feet (3 m) clearance to combustible objects that can catch fire.
2. Do not place the grill where there are combustible surfaces overhead.



TECHNICAL DATA

Ningbo Huige Outdoor Products Co., Ltd No.333 Tianhai Road,Binhai Industrial Zone, Fenghua District, Zhejiang Province, China www.huigeoutdoor.com			Product name: Outdoor Gas Grill Pin Number: 0063CN7292		
Country of Destination	Appliance Category	Gas and Supply Pressure	Main Burner	Side Burner	Appliance name
			Injector Size Ø	Injector Size Ø	Total Nominal Heat Inputs (Hs)
FR	I3+(28-30/37)	Butane(G30) 28-30 mbar	0.86mm	0.76mm	14.5 kW 1054g/h
		Propane(G31) 37 mbar	0.86mm	0.76mm	14.5 kW 1034g/h
DE	I3B/P(50)	Butane/Propane 50 mbar	0.75mm	0.66mm	14.5 kW 1054g/h
Use Outdoors Only. Read the instructions before using the appliance. The gas cylinder should not be placed inside BBQ. Warning: Accessible parts may be very hot. Keep young children away.			 0063-24 Made in China.		

- a) Choose the proper regulator according to appliance category and gas pressure in the table above, for example, Use 37 mbar regulator with appliance category I3+ for propane gas.
- b) Marking on injector, for example,0.86 indicates that the size of the injector is 0.86mm.

MODEL CORRESPONDING TABLE

Model Name	Main Burner No.
GE4000SE-G/GE4000SE-F	4

INSTRUCTIONS FOR USE

Follow the instructions carefully to avoid seriously damaging your grill and causing injury to yourself and to property.

1. Assemble the grill as per the assembly instructions carefully.
2. Connect the gas cylinder to the grill (gas cylinder not included).
3. Turn all control knobs to the OFF position before turning on the gas supply to the grill.
4. Operate the regulator in accordance with the instructions supplied with the regulator.
5. **NOTE: GE4000SE-G comes with hose and regulator, while GE4000SE-F does not include hose and regulator.**

HOSE INFORMATION

Check the hose before each use, searching for cracking, cuts or any abrasions. If the hose is found to be faulty in any way, do not attempt to use your gas grill.

When changing your gas bottle, ensure that there are no sources of ignition close by i.e. fires, cigarettes, naked flames etc. Make sure that the appliance is switched off.

Ensure that the hose is not subjected to twisting which will affect the gas flow when installing your gas grill. Also the hose must not have undue tension and must not touch any part of the gas grill which may be hot.

Please choose flexible hose whose heatproof higher than 80 °C. Flexible tube should be changed every 2 years. It's necessary to change the flexible tube when the national conditions require it.

GAS CYLINDER STORAGE

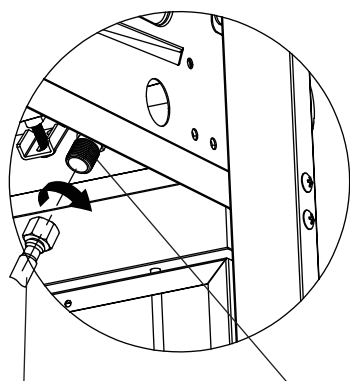
Your Gas Bottle must be stored outdoors in a well ventilated area and must be disconnected from your gas grill when not being used. Ensure that you are outdoors and away from any sources of ignition before attempting to disconnect your gas bottle from your gas grill.

When you are using your gas grill after a period of storage, please ensure to check for gas leaks and check for any obstructions in the burner etc. before using. Also follow the cleaning instructions to ensure gas grill is safe.

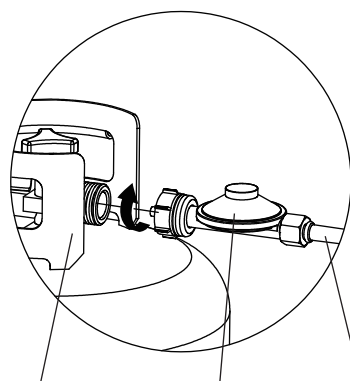
If gas grill is stored outdoors ensure to check that all areas under the front panel are free from any obstructions (insects etc.) This area must be kept free as this may affect the flow of combustion or ventilation air.

CONNECTING THE GAS CYLINDER

1. Before connecting the gas supply, ensure that there is no debris caught in the head of the gas cylinder, regulator, burner or burner parts. Spiders and insects can nest within and clog the burner/ venturi tube at the orifice. A clogged burner can lead to a fire beneath the appliance.
2. Clean the burner holes with a heavy-duty pipe cleaner.
3. Fit the hose to the appliance, ensuring that the screw fitting has been fully tightened using a spanner. If the hose is replaced, it must be secured to the appliance and regulator using hose clips.
4. Disconnect the regulator from the cylinder (according to the directions indicated on regulator) when the BBQ is not in use.
5. The BBQ must be used in a well-ventilated area. Do not use indoors or in a garage.
6. **ONLY USE THIS BBQ OUTDOORS.**



Hose **Gas Connector**
Illustration for the connection of
BBQ and Hose



Gas Cylinder **Regulator** **Hose**
Illustration for the connection of
Gas Cylinder, Regulator and Hose

! WARNING !

Always perform the Leak Test listed below before using your grill for the first time, if the cylinder has been changed, if any gas supply components have been changed, if the regulator flow-limiting device has been activated, or after a long period of non-use.

GAS CYLINDER LEAK TEST

1. Leak test must be repeated each time the gas cylinder is exchanged or refilled.
2. DO NOT smoke or have anything nearby that can easily ignite, such as lighters or matches.
3. DO NOT use an open flame to check for gas leaks.
4. The appliance must be leak checked outdoors in a well-ventilated area away from open flames or sparks.
5. REMOVE any pots or other cookware from the burner before beginning the test.

STEPS FOR LEAK TEST:

Use a clean paint brush and 50/50 soap and water solution.

NOTE: Use a mild soap and water. DO NOT use household cleaning agents, which could damage the gas component.

1. Turn all burner control knobs, regulator and cylinder valves OFF.
2. Be sure regulator is tightly connected to gas cylinder.
3. Completely open gas cylinder valve by turning hand wheel counterclockwise. If you hear a rushing sound, turn gas off immediately. There is a major leak at the connection. Correct before proceeding.
4. Brush the soapy solution onto all metal seams and the entire valve area.
5. Slowly turn the gas cylinder valve counterclockwise to the open position.
6. A leak is identified by a flow of bubbles from the area of the leak. Close gas cylinder valve immediately and retighten connections.
7. If leaks cannot be stopped, do not try to repair, contact your gas grill dealer for assistance. Do not attempt to operate appliance if a leak is present.
8. Always examine the hose for any damage. If damage is observed, do not attempt to patch the hose. Replacing the hose is the only safe option.
9. For assistance with any malfunction related to the gas cylinder, regulator or hose, contact customer service.
10. Always close gas cylinder valve after performing leak test by turning hand wheel clockwise.

UNDER NO CIRCUMSTANCE SHOULD THE VALVE REMAIN IN THE ON POSITION FOR MORE THAN 12 SECONDS.

WARNING

1. DO NOT USE THE GRILL if there are leaks. Be sure the gas cylinder valve is closed. If the gas cylinder is still leaking, contact your gas dealer.
2. Do not use any matches, open flames, or smoke during leak testing.
3. Do not light any burners during leak testing.
4. Replacement parts, including a replacement hose assembly, must be as per the specifications in the parts list.

Failure to comply with these instructions may result in serious bodily injury.

Each grill burner is tested and calibrated at the factory prior to shipment; however, variations in the local gas supply may make it necessary to adjust the burners. Please visually check the flames of the burners. Always visually inspect your grill before lighting. Replace any hose that is frayed or cracked. Look for anything that could block ventilation and remove such a blockage or move the grill. After lighting, check the flame pattern to ensure you have even heat distribution for each burner. If burners don't light up, or if the flame pattern is uneven, see the Troubleshooting section.

⚠ WARNING: BEFORE LIGHTING ⚠

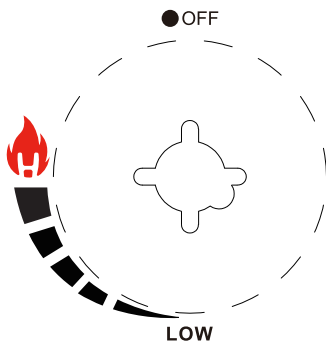
1. Read the instructions before lighting.
2. If the burner does not ignite in 5 seconds, turn the burner control knob(s) off, wait 5 minutes and repeat the lighting procedure.
3. Inspect the gas supply hose prior to turning the gas "ON". If there is evidence of cuts, wear, or abrasion, it must be replaced prior to use. Do not use the grill if the odor of gas is present. Only use the pressure regulator and hose assembly supplied with the unit.
4. Never use regulators and hose assemblies other than those supplied with the grill. If a replacement is necessary, contact the manufacturer to get the proper replacement. The replacement must be as per the specifications in the Owner's Manual.

DO NOT LEAVE THE GRILL UNATTENDED WHILE COOKING.

LIGHTING THE BURNERS USING AUTOMATIC IGNITION

1. Open the hood of the barbecue before attempting to light the burners.
2. Push down and turn all the control knobs clockwise to "OFF" position.
3. Connect the regulator to the gas bottle. Turn on the gas supply at the regulator or at the gas bottle valve.
4. Push down the control knob and keep pressing while turning anti-clockwise to the high "Fire" position. A click sound will be heard and ignition will take place. Then push down other control knob in order from left to right and keep pressing while turning anti-clockwise to the high "Fire" position.
5. If the burner is not lighting, turn dial to the off position and wait 5 minutes, and repeat step 4.
6. Repeat step 4 to 5 for other burners.

* Should the burners still fail to ignite, check the gas supply.



TURNING OFF YOUR GRILL

1. Turn off the gas supply at the gas cylinder by turning the valve clockwise to a full stop.
2. Turn all burner control knobs to OFF position.

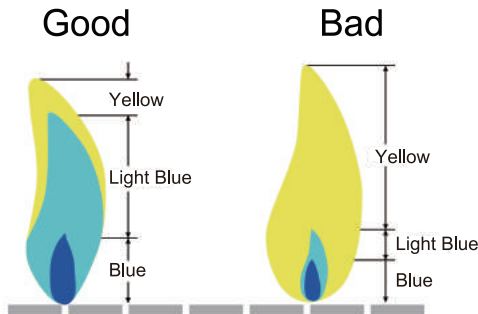
⚠ WARNING ⚠

Do not use spirit or petrol for lighting or re-lighting!

BURNER FLAMES

Always check the burner flame patterns after lighting. A good flame should be primarily blue with a yellow tip and have a minimal amount of flicker. Some yellow tips are OK if they are smaller than 2.5 cm (1").

New burners sometimes have oil residue, which will cause yellow flame when burning off. Variations in gas supply, altitude, weather, and other factors can all impact burner performance. Older grills can also show more yellow flame due to food deposit, oil, and fat buildup.



FIRST TIME USE

Before cooking on your gas grill for the first time, burn it off to rid it of any odors or shipping oil in the following manner:

1. With cooking grates installed in position, turn on the gas grill and operate on HI position for 10 to 15 minutes. Then, turn all control knobs and gas supply to OFF position.
2. When gas grill is cool, remove cooking grates and wash off the cooking grates by using soapy water and a towel or paper towels. Rinse off the soap and air dry. Next, thoroughly season cooking grates by spraying or wiping olive or vegetable oil on them. Ensure that the entire surface is generously coated including the corners. For cast iron cooking grates, light seasoning should be done before every usage.
3. Your grill is ready to cook. Proceed to "PREHEATING".

PREHEATING

It is necessary to preheat the grill before cooking, depending on the type of food and the cooking temperature. Preheat the gas grill on MEDIUM/HIGH with the lid closed for 5 to 10 minutes. Reduce heat as appropriate for what you are grilling. Next, brush or spray the cooking grates with olive or vegetable oil to prevent food from sticking.

LID POSITION:

Open or close the lid during grilling in accordance with your personal preference, but the gas grill cooks faster by using less fuel with the lid closed. Get a smokier flavor to meat cooked directly on the cooking grates with lid closed, and the closed lid position is also essential for smoking and indirect convection cooking methods.

COOKING WITH INDIRECT HEAT:


You can cook poultry and large cuts of meat slowly to perfection on one side of the grill by the indirect heat from the burner on the other side. Heat from the lighted burner circulates gently throughout the grill, thereby cooking the meat or poultry without any direct flame touching it. This method greatly reduces risk of flare-ups when cooking extra fatty cuts as there is no direct flame to burn the fat and juices that drip down while cooking.

Your new grill has been designed and manufactured to high quality standards. It will provide you with many years of fun grilling time, however, it requires a minimal amount of maintenance.

Clean grill often, preferably after each cookout. If a bristle brush is used to clean any of the grill cooking surfaces, ensure no loose bristles remain on cooking surfaces prior to grilling.

WARNING

1. Do not clean any part of your grill in a self-cleaning oven.
2. Do not use oven cleaners, abrasive kitchen cleaners, cleaners that contain citrus products, or mineral spirits.
3. Clean your grill regularly to prevent grease buildup, grease fires or excessive flare-ups.
4. Always allow the grill to cool down prior to cleaning.

 Grease is flammable. Let hot grease cool down before attempting to handle it. Avoid letting grease deposits collect in the bottom of the firebox and the grease tray at the bottom of the grill's firebox. **Remove the grease from the bottom of the firebox and grease tray regularly.**

STAINLESS STEEL

Clean with multipurpose, low-abrasion, non-phosphorous metal or stainless steel polish and a soft cloth. Always polish in the direction of the finish. Do not allow grease and dirt to accumulate. In addition, several products and naturally occurring substances can damage all stainless-steel finishes. These include, but are not limited to, swimming pool chemicals (chlorine and bromine), lawn and garden fertilizers, ice-melting products, sea or other salt water, urine, bird droppings, and tree sap. Upon contact with these substances, immediately wash and dry the stainless-steel surface and be careful to avoid burns.

OTHER EXTERIOR SURFACES

Wash with a mild dishwashing detergent and warm water. You can use a cloth, soft brush (non-metallic), or plastic cleaning pad. Rinse thoroughly and wipe dry.

COOKING GRATES AND FLAME TAMERS

Use a stiff brass brush. Wash with warm water and mild dishwashing detergent, rinse and dry.

GREASE CUP/TRAY

Check after each use. Remove and empty the grease cup when half full. Remove and clean the grease tray as grease builds up. Both can be washed with warm water and mild dishwashing detergent.

BURNERS

We recommend you clean your burners at least twice a year, or before use if the grill has not been used in over one month.

WARNING

Small insects and spiders may enter the burner tubes. Sometimes they will build nests or spin webs that can block or reduce the amount of gas flowing through the burner. You will usually see a smaller flame, or a flame that is mostly yellow rather than blue, coming from the burner when this happens. Other signs include the grill generating uneven or low heat, or difficulty in igniting the burners. In cases of severe blockage, this can cause the flame to burn backwards, and outside of the burner tubes, which can damage your grill and/or cause personal injury. **IMMEDIATELY SHUT OFF THE FLOW OF GAS AT THE CYLINDER BY TURNING THE HAND WHEEL CLOCKWISE SHOULD THIS HAPPEN.** Wait for the grill to cool down and then clean all burners.

CLEANING THE BURNERS

1. Ensure the gas is turned off at the gas cylinder.
2. Remove the cooking grates and flame tamers.
3. Lift each burner up and out.
4. Clean the inside of the burner using a stiff wire. A straightened coat hanger will work.
An alternative is to use compressed air. Always wear protective gear for your eyes when using this method.
Never enlarge the burner ports during cleaning.
5. Brush the outer surface of the burner.
6. Ensure all ports (holes) are free of debris.
7. Inspect the burners. Replace any that have cracks or enlarged ports.
8. Replace flame tamers and cooking grates.
9. Perform the Leak Test described earlier in this Owner's Manual.

WARNING

1. Proper placement of the burner and valve is vital to ensure safety.
2. Do not use any strong or grinding solvents or abrasive pads, as they can damage surfaces and leave behind scratch marks.

GRILL STORAGE

1. Clean your grill before storage. Store at a cool dry place.
2. Storage of a gas grill indoors is permissible only if the gas cylinder is disconnected and removed from the gas grill.
3. A cover is highly recommended to protect your grill. Choose from a variety of grill covers offered by the manufacturers.
4. Perform a Leak Test before using the grill after it has been kept in storage for some time.

Emergencies	Possible cause	Prevention/Solution
Gas leaking from cracked/cut/burned hose	Damaged hose	Turn off gas at gas cylinder, if hose is cut or cracked, replace hose. Conduct gas cylinder leak test and check regulator connection to the gas cylinder.
Gas leaking from gas cylinder	Mechanical failure due to aging or mishandling	Turn off gas cylinder valve. Contact your gas dealer.
Gas leaking from gas cylinder valve	Failure of cylinder valve due to mishandling or mechanical failure	Turn off gas cylinder valve. Return gas cylinder to gas supplier.
Gas leaking between gas cylinder and regulator connection	Improper installation, loose connection, failure of rubber seal	Turn off gas cylinder valve, remove regulator from cylinder and visually inspect the rubber seal for damage. Conduct gas cylinder leak test and check regulator connection to the gas cylinder.
Fire coming through control panel	Fire in burner tube section of the burner due to partial blockage	Turn off control knobs and gas cylinder valve. After the fire is out and grill is cold, remove the burner and inspect for spider nests or rust. See natural hazards and cleaning the burner assembly pages.

Troubleshooting: Problem	Possible cause	Prevention/Solution
Grease fire or continuous excessive flame above cooking surface	Too much grease buildup in burner area	Turn off gas cylinder. Leave lid open to allow the flames to die down. After cooling, clean food particles and excess grease from inside the firebox area, grease cup/pan/tray, and other surfaces.
Burner will not light when using the ignitor	Gas issues: 1. Trying to light wrong burner 2. Burner not engaged with control valve 3. Obstruction in burner 4. No gas flow 5. Vapor lock at coupling nut to gas cylinder 6. Coupling nut and gas cylinder valve not fully connected	1. See instructions on control panel. 2. Make sure valve are positioned inside the burner tubes. 3. Ensure burner tubes are not obstructed with spider webs or other material; see cleaning section in Cleaning and Maintenance. 4. Make sure gas cylinder is not empty. If gas cylinder is not empty, check sudden drop in gas flow. 5. Turn off knobs and disconnect coupling nut from gas cylinder. Reconnect and retry. 6. Turn the coupling nut approximately one-half to three-quarters.
Sudden drop in gas flow or low flame	1. Grease buildup 2. Excessive fat in meat 3. Excessive cooking temperature	1. Clean burners and inside of grill/firebox. 2. Trim fat from meat before grilling.
Flame blows out	High or gusting winds/Low gas gas/Excess flow valve tripped	Turn front of grill to face wind or increase flame height. Refill gas cylinder.

Troubleshooting: Problem	Possible cause	Prevention/Solution
Persistent grease fire	Grease trapped by food buildup around the burner system	Turn knobs to OFF. Turn gas off at the gas cylinder. Leave lid in position and let the fire burn out. After the grill cools, remove and clean all parts.
Flashback... (fire in burner tube(s))	Burner and burner tubes are blocked.	Turn knobs to OFF. Clean burner and/or burner tubes. See burner cleaning section in Cleaning and Maintenance.
Flare-up	1. Grease buildup 2. Excessive fat in meat 3. Excessive cooking temperature	1. Clean burners and inside of grill/firebox. 2. Trim fat from meat before grilling. 3. Adjust (lower) temperature.
Unable to fill gas cylinder	Some dealers have older fill nozzles with worn threads.	When turning worn nozzles, they don't have enough "bite" to engage the valve. Try a different gas dealer.
One burner does not light from other burner(s)	Grease buildup or food particles in end of carryover tube	Clean carry-over tube with wire brush.

If your problem is not resolved using the troubleshooting information above, please contact your local gas dealer.

CAUTION: If the burners go out during use, close the gas supply at cylinder, and turn off all gas valves. Wait for five minutes before attempting to re-light (this allows accumulated gas fumes to clear).

CAUTION: In case of a grease fire, close the gas supply at cylinder, turn off all burners until the fire is out.

CAUTION: DO NOT attempt to disconnect any gas fitting while the grill is being used. As with all appliances, proper care and maintenance will ensure your grill is in top operating condition and will prolong its life.

DISPOSAL



The packaging is made from environmentally friendly materials, which you can dispose at your local recycling points.



Do not dispose of the grill in normal household waste under any circumstance! Dispose it at an approved disposal site or at your community disposal facility. Respect the current valid regulations. If in doubt, get in touch with your disposal facility.

DIRECT HEAT

BEEF INTERNAL TEMPERATURE CHART			
Cooking Degree	Internal Core Temperature	Internal Description	Firmness
Rare	52°C(125°F)	Center is bright red, pinkish toward the outer portion, and warm throughout	Soft to the touch
Medium Rare	54°C-57°C (130°F-135°F)	Center is very pink, slightly brown toward the outer portion and slightly hot	Yields only slightly to the touch
Medium	60°C-63°C (140°F-145°F)	Center is light pink, outer portion is brown and hot throughout	Beginning to firm to the touch
Medium Well	65°C-68°C (150°F-155°F)	Mostly brownish gray throughout with a hint of pink in the center	Firm to the touch
Well Done	68°C(155°F) and above	Steak is brownish gray throughout	Firm or hard to the touch
POULTRY INTERNAL TEMPERATURE CHART			
Whole Chicken	74°C(165°F)	Cook until the juices run clear	Firm to the touch
Dark Meat	74°C(165°F)	Cook until white throughout but still moist	Firm to the touch
Breast Meat	74°C(165°F)	Cook until white throughout but still moist	Firm to the touch
Thigh, Wings and Legs	74°C(165°F)	Mostly brownish gray throughout with a hint of pink in the center	Firm to the touch
PORK INTERNAL TEMPERATURE CHART			
Medium	65°C(150°F)	Pink in the center	
Well Done	71°C(160°F) and above	Pork is uniformly white/brown throughout	
Pork Ribs	82°C-93°C (180°F-200°F)	Pale white. Cook medium to well done	
Raw Sausage	71°C(160°F)	No longer pink	
Sausage (Pre-cooked)	60°C(140°F)	No longer pink	

INDIRECT HEAT

INDIRECT HEAT COOKING GUIDE			
Food	Weight	Heat Control	Time
Beef Roast	3~6 lb. (1.5 kg ~ 3 kg)	Med/Low	2~4 hrs
Beef Roast	6-11 lb. (3 kg ~ 5 kg)	Med/Low	3~5 hrs
Pork Roast	2~6 lb. (1 kg ~ 3 kg)	Med/Low	2~4 hrs
Pork Roast	6~11 lb. (3 kg ~ 5 kg)	Med/Low	3~5 hrs
Turkey or Chicken	2~5 lb. (1 kg ~ 2 kg)	Med/Low	2~4 hrs
Turkey or Chicken	5~11 lb. (2 kg ~ 5 kg)	Med/Low	3~5 hrs

Thanks for purchasing this Royal Gourmet® 4-Burner Cabinet Gas Grill.

Royal Gourmet GmbH warrants its products to be free from defects in materials and workmanship under proper assembly, normal residential use and recommended care for **1-Year Full Warranty** from the date of original retail purchase. The warranty does not cover paint finish as it may burn off during normal use. **RUST is not considered a manufacturing or materials defect.**

For **5 Years** from the date of purchase, **any stainless steel burner** that rusts through will be replaced **free** of charge.

Within the stated warranty period, Royal Gourmet GmbH, at its discretion, shall replace defective components free of charge, with the owner being responsible for shipping. Royal Gourmet GmbH reserves the right to require that defective parts be returned, postage and/or freight pre-paid by the consumer for review and examination. In the event of parts availability issues, Royal Gourmet GmbH reserves the right to substitute like or similar parts that are equally functional. Upon the expiration of such warranty, all such liability shall terminate.

Note: A dated sales receipt along with Model Number and Serial Number will be required for the warranty service.

The limited warranty will not reimburse you for the cost of any inconvenience, food, personal injury or property damage. All warranty coverage is void if this grill is ever used for commercial or rental purposes. And this limited warranty applies to the functionality of the product **ONLY** and does not cover cosmetic issues such as scratches, dents, corruptions or discoloring by heat, abrasive and chemical cleaners or any tools used in the assembly or installation of the appliance, surface rust, or the discoloration of stainless steel surfaces.

ITEMS NOT COVERED IN THE WARRANTY SERVICE

Any failures or operating difficulties due to accident, abuse, misuse, alteration, misapplication, vandalism, improper installation or improper maintenance or service, or failure to perform normal and routine maintenance, including but not limited to damage caused by insects within the burner tubes, as set out in the owner's manual.

Deterioration or damage due to severe weather conditions such as hail, hurricanes, earthquakes or tornadoes, discoloration due to exposure to chemicals either directly or in the atmosphere.

Cost of service calls to your home.

Costs of removal or re-installation.

Pickup and delivery of your product.

Shipping or transportation costs.

Labor costs for installation and repair.

Liability for indirect, or consequential damages.

This limited warranty is the sole warranty given by Royal Gourmet GmbH and is in lieu of all other warranties, expressed or implied including implied warranty, merchantability, or fitness for a particular purpose. Neither Royal Gourmet GmbH nor the retail establishment selling this product has authority to make any warranties or to promise any remedies in addition to or inconsistent with those stated above.


Royal Gourmet GmbH's **maximum liability**, in any event, shall not exceed the purchase price of the product paid by the original consumer purchaser. Some states do not allow the exclusion or limitation of incidental or consequential damages. In such a case, the above limitations or exclusions may not be applicable.


Do not return parts without prior to obtaining return authorization from our customer service department.

Please do not hesitate to contact our customer service when you have any questions regarding assembly, warranty, or accessories. We will be happy to offer any replacement parts you need during the warranty period.

 Royal Gourmet GmbH

 service@royalgourmeteu.com

 Lüschershofstraße 71, 45356 Essen, Germany

 Mon-Fri, 8:30 AM-5:00 PM, CET

INHALTE

Zu Ihrer Sicherheit	16-17
Allgemeine Information und Instruktionen	18-20
Bedienungsanleitung	21-22
Reinigung und Wartung	23-24
Fehlerbehebung	25-26
Leitfaden zur Fleischtemperatur	27
Garantie und Kundendienst	28

GEFAHR

Wenn Sie Gas riechen:

1. Schalten Sie die Gaszufuhr zum Grill aus.
2. Erlöschen Sie jede offene Flamme.
3. Öffnen Sie den Deckel.
4. Wenn der Geruch bleibt, halten Sie sich vom Grill fern und rufen Sie sofort Ihre Feuerwehr.

HINWEISE: Lesen Sie alle Anweisungen vor der Montage und Verwendung. Die Nichtbeachtung dieser Anweisungen kann zu Personen- und/oder Sachschäden führen.

WARNUNG

1. Lagern oder verwenden Sie kein Benzin oder andere brennbare Flüssigkeiten oder Dämpfe in der Nähe dieses oder eines anderen Geräts.
2. Eine Gasflasche, die nicht zur Verwendung angeschlossen ist, darf nicht in der Nähe dieses oder eines anderen Geräts gelagert werden.

Im Falle eines Problems rufen Sie uns zuerst an! Geben Sie den Grill **NICHT** an das Retailer zurück. Dieser Grill wurde nach hohen Qualitätsstandards hergestellt. Wenn Sie Fragen haben, die nicht in dieser Bedienungsanleitung beantwortet werden, oder wenn Sie Ersatzteile benötigen, wenden Sie sich bitte an unsere Kundendienst-Hotline.

VORSICHT

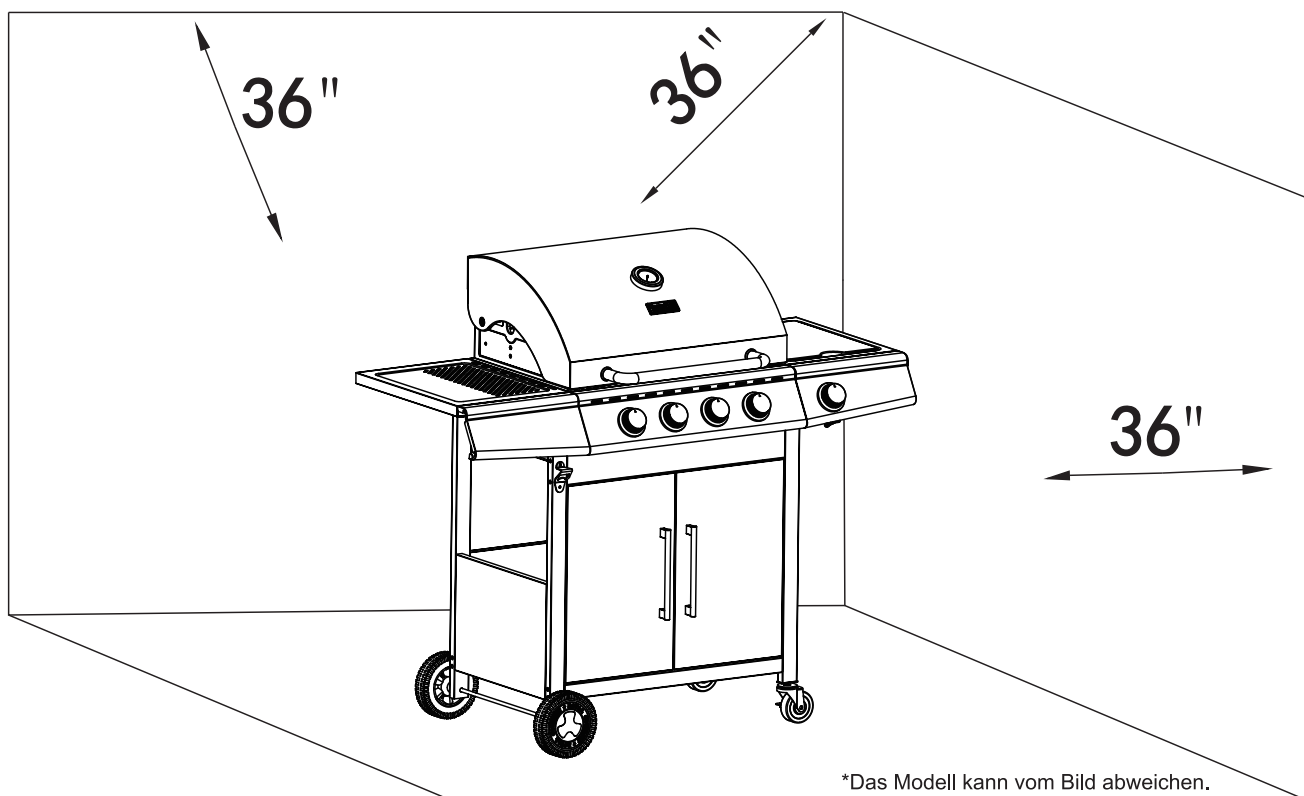
1. Dieser Grill ist nur für die Verwendung mit Gasflasche gedacht (Gasflasche nicht im Lieferumfang enthalten).
2. Verwenden Sie niemals Holzkohle oder Feuerzeugflüssigkeit mit Gasgrills.
3. Versuchen Sie niemals, diesen Grill an das abgeschlossenen Propansystem eines Camper Trailers, Wohnwagens oder Hauses anzubringen.
4. Verwenden Sie Benzin, Kerosin oder Alkohol zur Anzündung NICHT. Dieser Grill ist nicht für die Verwendung in oder auf Freizeifahrzeugen oder Booten vorgesehen. Dieses Gerät ist nicht für den kommerziellen Gebrauch bestimmt.
5. Kinder sollten niemals Ihren Grill benutzen. Halten Sie Kinder und Haustiere fern, wenn Sie verwendet werden.
6. Versuchen Sie den Grill zu bewegen NICHT, während er gezündet oder heiß ist.
7. Verwenden Sie den Grill NICHT, wenn er nicht vollständig montiert ist und alle Teile sicher befestigt und festgezogen sind.
8. Verwenden Sie den Grill oder Gasprodukte NICHT in der Nähe von ungeschützten brennbaren Gebäuden und Materialien.
9. Verwenden Sie in Gegenwart von Gasen oder Dämpfen NICHT. Halten Sie den Grillbereich klar und frei von brennbaren Materialien, Benzin und anderen brennbaren Dämpfen und Flüssigkeiten.
10. Berühren Sie die Metallteile des Grills NICHT, bis er vollständig abgekühlt ist (ca. 45 Minuten), um Verbrennungen zu vermeiden, es sei denn, Sie tragen Schutzausrüstung (Ofenhandschuhe, Topflappen usw.).
11. Halten Sie den Grill immer mindestens 91 cm (36 inches) von jeder Wand oder Oberfläche entfernt. Halten Sie mindestens 3 m (10 Fuß) Abstand zu brennbaren Gegenständen, die Feuer fangen können.
12. Betreiben Sie dieses Gerät nicht unter Dachkonstruktionen oder Laub.
13. Reinigen und inspizieren Sie den Schlauch vor jedem Gebrauch. Bei Anzeichen von Abrieb, Verschleiß, Schnitten oder Leckagen muss der Schlauch vor dem Betrieb des Grills ausgetauscht werden. Die Ersatzschlauchleitung muss den vom Hersteller angegebenen Herstellerspezifikationen entsprechen.
14. Bewegen Sie den Gasschlauch so weit wie möglich weg von heißen Oberflächen und tropfendem heißem Fett.
15. Bewahren Sie niemals eine gefüllte Gasflasche in einem heißen Auto oder LKW auf. Hitze kann dazu führen, dass der Gasdruck ansteigt, was dazu führen kann, dass sich das Überdruckventil öffnet und das Gas entweichen kann.
16. Halten Sie die Ventilkammer, die Brenner und die Umluftkanäle des Grills sauber. inspizieren Sie den Grill vor jedem Gebrauch. Wenn Sie mit Öl/Fett kochen, lassen Sie das Öl/Fett nicht über 177 °C (350 °F) überschreiten.
17. Behindern Sie nicht den Luftstrom für Verbrennung und Belüftung.
18. Halten Sie die Lüftungsöffnungen des Tankgehäuses frei und klar von Geröll.
19. Bitte bewahren Sie diese Bedienungsanleitung für zukünftige Referenzen auf.

! WARNUNG !

1. Dieser Grill ist **nur im Freien** bestimmt und sollte nicht innerhalb eines Gebäudes, einer Garage oder jeder anderen geschlossenen Raums verwendet werden.
2. Der Verbrauch von Alkohol, verschreibungspflichtigen oder nicht verschreibungspflichtigen Medikamenten kann die Fähigkeit der Bediener¹ beeinträchtigen, den Grill ordnungsgemäß zusammenzubauen oder sicher zu bedienen.
3. Öffnen Sie den Grilldeckel immer langsam und vorsichtig, da Hitze und Dampf, die im Grill eingeschlossen sind, schwere Verbrennungen verursachen können.
4. Stellen Sie Ihren Grill immer auf eine harte und ebene Oberfläche weit weg von Brennstoffen.
5. Lassen Sie einen angezündeten Grill nicht unbeaufsichtigt. Halten Sie Kinder und Haustiere **IMMER** vom Grill fern.
6. Stellen Sie den Grill auf keine Type der Tischplatte Oberfläche.
7. Verwenden Sie den Grill nicht bei starkem Wind.
8. Verwenden Sie den Grill nicht, um übermäßig fettiges Fleisch oder andere fettige oder fettige Speisen zu kochen, bei denen die Gefahr von Schüben besteht.

! ZU IHRER SICHERHEIT !


1. Halten Sie den Grill immer mindestens 91 cm (36 inches) von einer Wand oder Oberfläche entfernt. Halten Sie mindestens 3 m (10 Fuß) Abstand zu brennbaren Gegenständen, die Feuer fangen können.
2. Stellen Sie den Grill nicht dort auf, wo sich feuergefährliche Oberflächen darüber befinden.



TECHNISCHE DATEN

Ningbo Huige Outdoor Products Co., Ltd Nr.333 Tianhai Straße, Binhai Industrielle Zone, Fenghua Distrikt, Provinz Zhejiang, China www.huigeoutdoor.com			Produkt Name: Outdoor Gasgrill Pin Nummer: 0063CN7292		
Bestimmungsland	Appliance Kategorie	Gas und Versorgungsdruck	Hauptbrenner	Seitenbrenner	Name der Appliance
			Injektorgroße Ø	Injektorgroße Ø	E20A30A28-SB
FR	I3+(28-30/37)	Butan(G30) 28-30 mbar	0.86mm	0.76mm	14.5 kW 1054g/h
		Propan(G31) 37 mbar	0.86mm	0.76mm	14.5 kW 1034g/h
DE	I3B/P(50)	Butan/Propan 50 mbar	0.75mm	0.66mm	14.5 kW 1054g/h

Verwenden Sie es nur im Freien!
 Lesen Sie die Anweisungen, bevor Sie die Appliance verwenden.
 Die Gasflasche sollte nicht im Grill platziert werden.
Warnung: Zugängliche Teile können sehr heiß sein. Halten Sie kleine Kinder fern.


0063-24
 Hergestellt in China.

- a) Wählen Sie den richtigen Regler entsprechend der Appliance Kategorie und dem Gasdruck in der obigen Tabelle, zum Beispiel, 37-mbar-Regler mit Appliance Kategorie I3+ für Propangas.
 b) Die Markierung auf dem Injektor, zum Beispiel, 0,86 zeigt an, dass die Größe des Injektors 0,86 mm beträgt.

MODELL ENTSPRECHENDE TABELLE

Modell Name	Hauptbrenner Nr.
GE4000SE-G/GE4000SE-F	4

GEBRAUCHSANWEISUNGEN

Befolgen Sie die Anweisungen sorgfältig, um eine ernsthafte Beschädigung Ihres Grills und Verletzungen an sich selbst und Eigentum zu vermeiden.

1. Montieren Sie den Grill sorgfältig gemäß der Montageanleitung.
2. Verbinden Sie die Gasflasche mit dem Grill (Gasflasche nicht im Lieferumfang enthalten).
3. Drehen Sie alle Bedienknöpfe in die Position OFF, bevor Sie die Gaszufuhr zum Grill einschalten.
4. Bedienen Sie den Regler gemäß den mit dem Regler gelieferten Anweisungen.
5. **HINWEIS: GE4000SE-G wird mit Schlauch und Regler geliefert, während GE4000SE-F keinen Schlauch und Regler enthält.**

SCHLAUCH INFORMATION

Überprüfen Sie den Schlauch vor jedem Gebrauch und suchen Sie nach Rissen, Schnitten oder Abschürfungen. Wenn festgestellt wird, dass der Schlauch in irgendeiner Weise fehlerhaft ist, versuchen Sie nicht, Ihren Gasgrill zu benutzen. Wenn Sie Ihre Gasflasche wechseln, stellen Sie sicher, dass sich keine Zündquellen in der Nähe befinden, z. B. Feuer, Zigaretten, nackte Flammen etc. Stellen Sie sicher, dass die Appliance ausgeschaltet ist.

Stellen Sie sicher, dass der Schlauch bei der Installation Ihres Gasgrills nicht verdreht wird, was den Gasfluss beeinträchtigt. Außerdem darf der Schlauch keine übermäßige Spannung aufweisen und keinen Teil des Gasgrills berühren, der heiß sein kann.

Bitte wählen Sie einen flexiblen Schlauch, dessen Hitzebeständigkeit höher als 80°C ist. Flexibler Schlauch sollte alle 2 Jahre gewechselt werden. Es ist notwendig, den flexiblen Schlauch zu wechseln, wenn die nationalen Bedingungen es erfordern.

GASFLASCHEN LAGERUNG

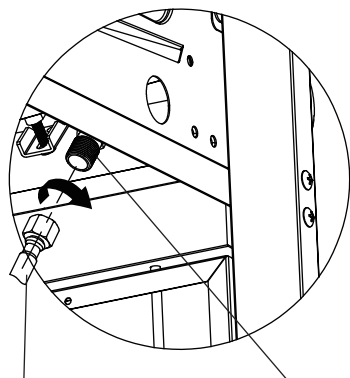
Ihre Gasflasche muss im Freien in einem gut belüfteten Bereich gelagert werden und muss von Ihrem Gasgrill getrennt werden, wenn sie nicht benutzt wird. Stellen Sie sicher, dass Sie sich im Freien und fern von Zündquellen befinden, bevor Sie versuchen, Ihre Gasflasche von Ihrem Gasgrill zu trennen.

Wenn Sie Ihren Gasgrill nach einer Periode von Lagerung verwenden, bitte stellen Sie sicher, dass Sie nach Gaslecks prüfen und nach Verstopfungen im Brenner usw. vor der Verwendung. Befolgen Sie auch die Reinigungsanweisungen, um sicherzustellen, dass der Gasgrill sicher ist.

Wenn der Gasgrill im Freien gelagert wird, stellen Sie sicher, dass alle Bereiche unter der Frontplatte frei von Hindernissen sind (Insekten usw.) Dieser Bereich muss freigehalten werden, da dies den Verbrennungs- oder Lüftungsluftstrom beeinträchtigen kann.

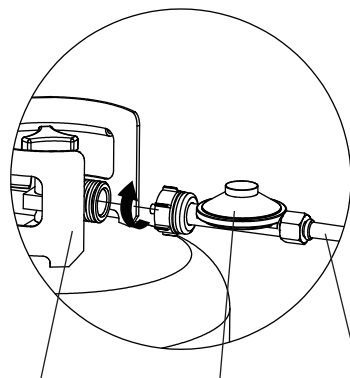
SCHLIEßEN DIE GASFLASCHE AN

1. Stellen Sie vor dem Anschließen der Gasversorgung sicher, dass sich keine Ablagerungen im Kopf der Gasflasche, des Reglers, des Brenners oder der Brennerteile befinden. Spinnen und Insekten können darin nisten und das Brenner / Venturirohr an der Öffnung verstopfen. Ein verstopfter Brenner kann zu einem Brand unter dem Gerät führen.
2. Reinigen Sie die Brennerlöcher mit einem Hochleistungs-Pfeifenreiniger.
3. Befestigen Sie den Schlauch am Gerät und stellen Sie sicher, dass die Verschraubung mit einem Schraubenschlüsselvollständig festgezogen wurde. Wenn der Schlauch ausgetauscht wird, muss er mit Schlauchschellen am Gerät und Regler befestigt werden.
4. Trennen Sie den Regler vom Zylinder (gemäß den Anweisungen auf dem Regler), wenn der Grill nicht verwendet wird.
5. Der Grill muss in einem gut belüfteten Bereich verwendet werden. verwenden Sie nicht drinnen oder in einer Garage.
6. VERWENDEN SIE DIESEN GRILL NUR IM FREIEN.



Schlauch Gas Konnektor

Illustration für den Anschluss von Gasgrill und Schlauch



Gasflasche Regler Schlauch

Illustration für den Anschluss von Gasflasche, Regler und Schlauch

! WARNUNG !

Führen Sie immer die unten aufgeführte Dichtheitsprüfung durch, bevor Sie Ihren Grill zum ersten Mal verwenden, wenn der Zylinder gewechselt worden sind, wenn Gasversorgungskomponenten gewechselt wurden, wenn die Durchflussbegrenzungseinrichtung des Reglers aktiviert wurde oder nach einer langen Periode vom Nichtgebrauch.

GASFLASCHE DICHTIGLEITSPRÜFUNG

1. Wenn ein Propantank nachgefüllt oder umgewechselt wird, sollte eine Dichtheitsprüfung jederzeit durchgeführt werden.
2. Rauchen Sie NICHT und haben Sie nichts in der Nähe, das sich leicht entzünden kann, wie Feuerzeuge oder Streichhölzer.
3. Verwenden Sie offene Flamme NICHT, um nach Lecks zu prüfen.
4. Testen Sie das Gerät draußen in einem guten belüfteten Bereich, Halten Sie von offenen Flammen oder Funken fern.
5. ENTFERNEN Sie alle Töpfe oder anderes Kochgeschirr aus dem Brenner, bevor Sie mit dem Test beginnen.

SCHRITTE FÜR DIE DICHTHEITSPRÜFUNG:

Verwenden Sie einen sauberen Pinsel und 50/50 Seifen- und Wasserlösung.

HINWEISE: Verwenden Sie eine milde Seife und Wasser. Verwenden Sie KEINE Haushaltsreiniger, die die Gaskomponente beschädigen könnten.

1. Schalten Sie alle Brennerregler, Regler und Zylinderventile aus.
2. Stellen Sie sicher, dass der Regler fest mit der Gasflasche verbunden ist.
3. Öffnen Sie das Gasflasche-Ventil vollständig durch Drehen des Handrads gegen den Uhrzeigersinn. Wenn Sie ein rauschendes Geräusch hören, schalten Sie sofort das Gas aus. Es gibt ein großes Leck an der Verbindung. Korrigieren Sie, bevor Sie fortfahren.
4. Bürsten Sie die Seifenlösung auf alle Metallnähte und den gesamten Ventilbereich, wie in den folgenden Abbildungen gezeigt.
5. Drehen Sie das Gasflasche-Ventil langsam gegen den Uhrzeigersinn in die geöffnete Position.
6. Ein Leck wird durch einen Strom von Blasen aus dem Bereich des Lecks identifiziert. Schließen Sie das Gasflasche-Ventil sofort und ziehen Sie die Verbindungen wieder fest.
7. Wenn Lecks nicht gestoppt werden können, versuchen Sie nicht zu reparieren, wenden Sie sich an Ihren Gasgrillhändler, um Hilfe zu erhalten. Versuchen Sie nicht, das Gerät zu bedienen, wenn ein Leck vorhanden ist.
8. Prüfen Sie den Schlauch immer auf Beschädigungen. Wenn Schäden festgestellt werden, versuchen Sie nicht, den Schlauch zu flicken. Der Austausch des Schlauchs ist die einzige sichere Option.
9. Wenden Sie sich an den Kundendienst, wenn Sie Hilfe bei Fehlfunktionen im Zusammenhang mit der Gasflasche, dem Regler oder dem Schlauch benötigen.
10. Schließen Sie das Gasflasche-Ventil nach der Dichtheitsprüfung immer durch Drehen des Handrads im Uhrzeigersinn.

UNTER KEINEN UMSTÄNDEN SOLLTE DAS VENTIL IN DER EIN-POSITION LÄNGER ALS 12 SEKUNDEN BLEIBEN.

WARNUNG

1. VERWENDEN SIE DEN GRILL NICHT, wenn es Lecks gibt. Stellen Sie sicher, dass das Gasflasche-Ventil geschlossen ist. Wenn die Gasflasche immer noch undicht ist, wenden Sie sich an Ihren Gas-Händler.
2. Verwenden Sie Streichhölzer, offene Flammen oder Rauch nicht während der Dichtheitsprüfung.
3. Zünden Sie Brenner nicht während Dichtheitsprüfung an.
4. Ersatzteile, einschließlich einer Ersatzschlauchleitung, müssen den Spezifikationen in der Teileliste entsprechen.

Die Nichtbeachtung dieser Anweisungen kann zu schweren Körperverletzungen führen.

Jeder Grillbrenner wird vor dem Versand im Werk getestet und kalibriert. Schwankungen in der lokalen Gasversorgung können jedoch eine Anpassung der Brenner erforderlich machen. Bitte überprüfen Sie die Flammen der Brenner visuell. Überprüfen Sie Ihren Grill immer visuell, bevor Sie ihn anzünden. Ersetzen Sie alle Schlauche, die ausgefranst oder gekrackt sind. Suchen Sie nach allem, was die Belüftung blockieren könnte, und entfernen Sie eine solche Blockade oder bewegen Sie den Grill. Überprüfen Sie nach dem Anzünden das Flammenmuster, um sicherzustellen, dass die Wärmeverteilung für jeden Brenner gleichmäßig ist. Wenn Brenner nicht leuchten oder das Flammenmuster uneben ist, lesen Sie den Abschnitt Fehlerbehebung.

⚠️ **WARNUNG: VOR ANZÜNDUNG** ⚠️

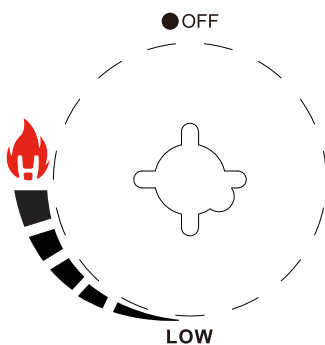
1. Lesen Sie die Anleitung vor Anzündung.
2. Wenn sich der Brenner nicht innerhalb von 5 Sekunden entzündet, schalten Sie die Brennersteuerung(en) aus, warten Sie 5 Minuten und wiederholen Sie den Beleuchtungsprozedur.
3. Überprüfen Sie den Gasversorgungsschlauch, bevor Sie das Gas einschalten. Wenn es Anzeichen von Schnitten, Verschleiß oder Abrieb gibt, muss es vor Gebrauch ausgetauscht werden. Verwenden Sie den Grill nicht, wenn der Geruch von Gas vorhanden ist. Verwenden Sie nur den mit dem Gerät gelieferten Druckregler und die Schlauchleitung.
4. Verwenden Sie niemals andere Regler und Schlauchleitungen als die, die mit dem Grill geliefert werden. Wenn ein Austausch erforderlich ist, wenden Sie sich an den Hersteller, um den richtigen Ersatz zu erhalten. Der Austausch muss den Spezifikationen in der Bedienungsanleitung entsprechen.

LASSEN SIE DEN GRILL WÄHREND DES KOCHENS NICHT UNBEAUF SICHTIGT.

ANZÜNDUNG DER BRENNER MIT AUTOMATISCHER ZÜNDUNG

1. Öffnen Sie den Deckel des Grills, bevor Sie versuchen, die Brenner anzuzünden.
2. Stellen Sie sicher, dass alle Bedienknöpfe auf die Position "OFF" sind.
3. Schließen Sie den Regler an den Gastank an und öffnen Sie die Gaszufuhr am Ventil oder Regler.
4. Drücken und drehen Sie den Bedienknopf gegen den Uhrzeigersinn auf die hohe Position "Feuer" . Ein Klickgeräusch ist zu hören und die Zündung wird erfolgen. Drücken Sie dann den anderen Drehknopf in der Reihenfolge von links nach rechts nach unten und halten Sie ihn gedrückt, während Sie ihn gegen den Uhrzeigersinn auf die hohe Position "Feuer" drehen.
5. Falls das Zünden fehlschlägt, schalten Sie den Bedienknopf aus, warten Sie 5 Minuten und beginnen Sie bei Schritt 4.
6. Wiederholen Sie Schritt 4 bis 5, um die anderen Brenner zu zünden.

* Sollten sich die Brenner immer noch nicht entzünden, überprüfen Sie die Gasversorgung.



SCHALTEN SIE IHREN GRILL AB

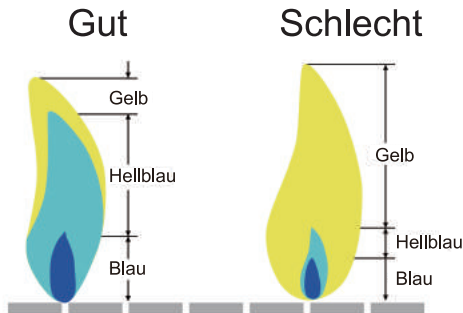
1. Schalten Sie die Gaszufuhr an der Gasflasche aus, indem Sie das Ventil im Uhrzeigersinn auf einen vollständigen Stopp drehen.
2. Drehen Sie alle Bedienknöpfe des Brenners in die Position OFF.

⚠️ **WARNUNG** ⚠️

Verwenden Sie weder Spiritus noch Benzin zum Anzünden oder Wiederanzünden!

BRENNERFLAMMEN

Überprüfen Sie immer die Brennerflammenmuster nach dem Anzünden. Eine gute Flamme sollte in erster Linie blau mit einer gelben Spitze sein und ein minimales Flimmern aufweisen. Einige gelbe Spitze sind in Ordnung, wenn Sie sind kleiner als 2,5 cm (1"). Neue Brenner haben manchmal Ölrückstände, die beim Abbrennen eine gelbe Flamme verursachen. Schwankungen der Gasversorgung, der Höhe, des Wetters und anderer Faktoren können sich auf die Leistung des Brenners auswirken. Ältere Grills können auch mehr gelbe Flammen aufgrund von Nahrungsablagerungen, Öl- und Fettablagerungen aufweisen.



ERSTMALIGE VERWENDUNG

Bevor Sie zum ersten Mal auf Ihrem Gasgrill kochen, verbrennen Sie es, um es von Gerüchen oder Versandöl auf folgende Weise zu befreien:

1. Wenn die Garroste in Position installiert sind, schalten Sie den Gasgrill ein und arbeiten Sie 10 bis 15 Minuten in der HI-Position. Drehen Sie dann alle Bedienknöpfe und die Gaszufuhr in die Position OFF.
2. Wenn der Gasgrill kühl ist, entfernen Sie die Kochroste und waschen Sie die Garroste mit Seifenwasser und einem Handtuch oder Papierhandtüchern ab. Spülen Sie Seife ab und trocknen an der Luft. Als nächstes würzen Sie Kochroste gründlich, indem Sie Oliven- oder Pflanzenöl darauf sprühen oder abwischen. Stellen Sie sicher, dass die gesamte Oberfläche einschließlich der Ecken großzügig beschichtet ist. Bei gusseisernen Kochrosten sollte vor jedem Gebrauch eine leichte Würze durchgeführt werden.
3. Ihr Grill ist bereit zum Kochen. Fahren Sie mit "VORHEIZEN" fort.

VORHEIZEN

Es ist notwendig, den Grill vor dem Kochen bestimmter Lebensmittel vorzuheizen, abhängig von der Art des Lebensmittels und der Kochtemperatur. Heizen Sie den Gasgrill auf MEDIUM/HIGH bei geschlossenem Deckel 5 bis 10 Minuten vor. Reduzieren Sie die Hitze entsprechend dem, was Sie grillen. Als nächstes bürsten oder besprühen Sie die Kochroste mit Oliven- oder Pflanzenöl, um zu verhindern, dass Lebensmittel anhaften.

DECKELPOSITION:

Öffnen oder schließen Sie den Deckel während des Grillens nach Ihren persönlichen Vorlieben, aber der Gasgrill kocht schneller, indem er bei geschlossenem Deckel weniger Brennstoff verbraucht. Verleihen Sie Fleisch, das direkt auf den Garrosten mit geschlossenem Deckel gekocht wird, einen rauchigeren Geschmack, und die geschlossene Deckelposition ist auch für Räucher- und indirekte Konvektionskochmethoden unerlässlich.


KOCHEN MIT INDIREKTER HITZE:

Sie können Geflügel und große Fleischstücke langsam auf der einen Seite des Grills durch die indirekte Hitze des Brenners auf der anderen Seite perfekt kochen. Die Wärme des angezündeten Brenners zirkuliert sanft durch den Grill und kocht so das Fleisch oder Geflügel, ohne dass eine direkte Flamme es berührt. Diese Methode reduziert das Risiko von Schüben beim Kochen von extra fettigen Schnitten erheblich, da es keine direkte Flamme gibt, um das Fett und die Säfte, die während des Kochens heruntertropfen, zu verbrennen.

Ihr neuer Grill wurde nach hohen Qualitätsstandards entworfen und hergestellt. Er wird Ihnen viele Jahre Spaß beim Grillen bieten, erfordert jedoch einen minimalen Wartungsaufwand. Sauberen Sie Grill oft, vorzugsweise nach jedem Cookout. Wenn eine Borstenbürste zum Reinigen einer der Grillkochflächen verwendet wird, stellen Sie sicher, dass vor dem Grillen keine losen Borsten auf den Kochflächen verbleiben.

WARNUNG

1. Reinigen Sie keinen Teil Ihres Grills in einem selbstreinigenden Ofen.
2. Verwenden Sie keine Ofenreiniger, scheuernde Küchenreiniger, Reinigungsmittel, die Zitrusprodukte enthalten, oder Mineralbenzin.
3. Reinigen Sie Ihren Grill regelmäßig, um Fettablagerungen, Fettbrände oder übermäßige Schübe zu verhindern.
4. Stellen Sie vor der Reinigung sicher, dass der Gasgrill abgekühlt sind.

 Schmierfett ist brennbar. Lassen Sie heißes Schmierfett abkühlen, bevor Sie versuchen, es zu handhaben. Vermeiden Sie, dass sich Fettablagerungen im Boden der Grillschalenbaugruppe und in der Fettwanne am Boden der Feuerkammer des Grills ansammeln. **Entfernen Sie das Fett vom Boden des Feuerraums und der Fettauffangschale regelmäßig.**

EDELSTAHL

Reinigen Sie mit einer vielseitigen, abriebarmen, phosphorfreien Metall- oder Edelstahlpolitur und einem weichen Tuch. Polieren Sie immer in Richtung des Finishs. Lassen Sie nicht zu, dass sich Fett und Schmutz ansammeln. Darüber hinaus können mehrere Produkte und natürlich vorkommende Substanzen alle Edelstahloberflächen beschädigen.

Hierzu gehören, aber nicht ausschließlich Schwimmbadchemikalien (Chlor und Brom), Rasen- und Gartendünger, Eisschmelzprodukte, Meer- oder anderes Salzwasser, Urin, Vogelkot und Baumsaft. Bei Kontakt mit diesen Substanzen sofort die Edelstahloberfläche waschen und trocknen und darauf achten, Verbrennungen zu vermeiden.

SONSTIGE ÄUßERE OBERFLÄCHEN

Mit einem milden Geschirrspülmittel und warmem Wasser waschen. Sie können ein Tuch, eine weiche Bürste (nicht metallisch) oder ein Reinigungskissen aus Kunststoff verwenden. Gründlich ausspülen und trocken wischen.

KOCHROSTE UND FLAMMENBÄNDIGER

Verwenden Sie eine steife Messingbürste. Mit warmem Wasser und mildem Geschirrspülmittel waschen, abspülen und trocknen.

SCHMIERFETT BECHER/TABLETT

Überprüfen Sie nach jedem Gebrauch. Entfernen und leeren Sie den Schmierfett Becher, wenn er halb voll ist. Entfernen und reinigen Sie die Fettwanne, da sich Schmierfett lagert ab. Beide können mit warmem Wasser und mildem Geschirrspülmittel gewaschen werden.

BRENNER

Wir empfehlen Ihnen, Ihre Brenner mindestens zweimal im Jahr oder vor Gebrauch zu reinigen, wenn der Grill seit mehr als einem Monat nicht mehr benutzt wurde.

WARNUNG

Kleine Insekten und Spinnen können in die Brennerrohre hineintreten. Sie werden normalerweise eine kleinere Flamme sehen, oder eine Flamme, die meistens gelb statt blau ist, die aus dem Brenner kommt, wenn dies geschieht. Manchmal bauen sie Nester oder spinnen Netze, die die Gasmenge, die durch den Brenner fließt, blockieren oder reduzieren können. Andere Anzeichen sind der Grill, der ungleichmäßige oder geringe Hitze erzeugt, oder Schwierigkeiten beim Entzünden der Brenner. Bei starker Verstopfung kann dies dazu führen, dass die Flamme nach hinten und außerhalb der Brennerrohre brennt, was Ihren Grill beschädigen und / oder Personenschäden verursachen kann. **SCHALTEN SIE SOFORT DEN PROPANGASFLUSS AM TANK AB, INDEM SIE DAS HANDRAD IM UHRZEIGERSINN DREHEN, FALLS DIES GESCHIEHT.** Warten Sie, bis der Grill abgekühlt ist, und reinigen Sie dann alle Brenner.

REINIGUNG DER BRENNER

1. Stellen Sie sicher, dass das Gas an der Gasflasche abgestellt ist.
2. Entfernen Sie die Kochroste und Flammenbändiger.
3. Heben Sie jeden Brenner hoch und heraus.
4. Reinigen Sie die Innenseite des Brenners mit einem steifen Draht. Ein begradigter Kleiderbügel funktioniert. Eine Alternative ist die Verwendung von Druckluft. Tragen Sie immer Schutzausrüstung für Ihre Augen, wenn Sie diese Methode anwenden.
Vergrößern Sie die Brenneranschlüsse während der Reinigung niemals.
5. Bürsten Sie die äußere Oberfläche des Brenners.
6. Stellen Sie sicher, dass alle Anschlüsse (Löcher) frei von Ablagerungen sind.
7. Inspizieren Sie die Brenner. Ersetzen Sie alle mit Rissen oder vergrößerten Anschlüssen.
8. Ersetzen Sie Flammenbändiger und Kochroste.
9. Führen Sie den weiter oben in dieser Bedienungsanleitung beschriebene Dichtheitsprüfung durch.

WARNUNG

1. Die richtige Platzierung des Brenners und des Ventils ist wichtig, um die Sicherheit zu gewährleisten.
2. Verwenden Sie keine starken oder schleifenden Lösungsmittel oder Schleifpads, da diese Oberflächen beschädigen und Kratzspuren hinterlassen können.

GRILL LAGERUNG

1. Reinigen Sie Ihren Grill vor Lagerung. Bewahren Sie an einem kühlen und trockenen Ort auf.
2. Die Lagerung eines Gasgrills in Innenräumen ist nur zulässig, wenn die Gasflasche abgeklemmt und vom Gasgrill entfernt wird.
3. Eine Abdeckung wird dringend empfohlen, um Ihren Grill zu schützen. Wählen Sie aus einer Vielzahl von Grillabdeckungen, die von den Herstellern angeboten werden.
4. Führen Sie eine Dichtheitsprüfung durch, bevor Sie den Grill verwenden, nachdem er einige Zeit gelagert wurde.

Notfälle	Mögliche Ursache	Prävention/Lösung
Gasleck aus gekracktem/ geschnittenem/verbranntem Schlauch	Beschädigter Schlauch	Schalten Sie das Gas an der Gasflasche aus, wenn der Schlauch geschnitten oder gekrackt ist, ersetzen Sie den Schlauch. Führen Sie einen Gasflaschen-Dichtheitstest durch und überprüfen Sie den Anschluss des Reglers an die Gasflasche.
Gasleck aus Gasflasche	Mechanisches Versagen aufgrund von Alterung oder falscher Handhabung	Schalten Sie das Gasflasche-Ventil aus. Wenden Sie sich an Ihren Gas-Händler.
Gasleck aus Gasflasche-Ventil	Ausfall des Tankventils aufgrund von falscher Handhabung oder mechanischem Versagen	Schalten Sie das Gasflasche-Ventil aus. Rückgabe der Gasflasche an den Gaslieferanten.
Gasleck zwischen Gasflasche und Regler Anschluss	Unsachgemäße Installation, lose Verbindung, Versagen der Gummiversiegelung	Schalten Sie das Gasflasche-Ventil aus, entfernen Sie den Regler vom Zylinder und untersuchen Sie die Gummidichtung visuell auf Beschädigungen. Führen Sie einen Gasflasche-Dichtheitstest durch und überprüfen Sie den Anschluss des Reglers an die Gasflasche.
Feuer kommt durch das Bedienungsfeld	Brand im Brennerrohrabschnitt des Brenners durch Teilverstopfung	Schalten Sie die Steuerknöpfe und das Gasflasche-Ventil aus. Nachdem das Feuer erloschen und der Grill kalt ist, entfernen Sie den Brenner und untersuchen Sie ihn auf Spinnennester oder Rost. Siehe Naturgefahren und Reinigung der Brennermontageseiten.

Fehlerbehebung: Problem	Mögliche Ursache	Prävention/Lösung
Fettbrand oder kontinuierliche übermäßige Flamme über der Kochfläche	Zu viel Fettablagerung im Brenner Bereich	Schalten Sie der Gasflasche aus. Lassen Sie den Deckel offen, damit die Flammen erlöschen können. Reinigen Sie nach dem Abkühlen Lebensmittelpartikel und überschüssiges Fett aus dem Bereich der Feuerbüchse, dem Fettbecher / der Pfanne / dem Tablett und anderen Oberflächen.
Brenner zündet/n nicht, wenn der Anzünder verwendet wird	Gasprobleme: 1. Versuch den falschen Brenner anzuzünden 2. Brenner nicht mit Regelventil eingeschaltet 3. Obstruktion im Brenner 4. Kein Gasfluss 5. Dampfsperre an der Kupplungsmutter zu der Gasflasche 6. Kupplungsmutter und Gasflasche-Ventil nicht vollständig verbunden	1. Siehen Sie Anweisungen auf dem Bedienungsfeld und im Abschnitt Verwendung und Pflege. 2. Stellen Sie sicher, dass sich das Ventil in den Brennerrohren befindet. 3. Stellen Sie sicher, dass die Brennerrohre nicht mit Spinnennetzen oder anderem Material verstopft sind. Siehen Sie Abschnitt Reinigung in Gebrauch und Pflege. 4. Stellen Sie sicher, dass die Gasflasche nicht leer ist. Wenn die Gasflasche nicht leer ist, überprüfen Sie "plötzlicher Abfall des Gasflusses". 5. Schalten Sie die Knöpfe aus und trennen Sie die Kupplungsmutter von der Gasflasche. Stellen Sie die Verbindung wieder her, und versuchen Sie es erneut. 6. Drehen Sie die Kupplungsmutter etwa zur Hälfte bis zu drei Vierteln.
Plötzlicher Abfall des Gasflusses oder geringe Flamme	1. Fettablagerungen 2. Übermäßiges Fett im Fleisch 3. Übermäßige Kochtemperatur	1. Säubern Sie Brenner und innen des Grills / Feuerraums. 2. Fett vom Fleisch vor dem Grillen abschneiden.
Flamme bläst aus	Starker oder böiger Wind / Low Gas / Überschussventil ausgelöst	Drehen Sie die Vorderseite des Grills, um dem Wind zu begegnen oder die Flammenhöhe zu erhöhen. Gasflasche auffüllen.

Fehlerbehebung: Problem	Mögliche Ursache	Prävention/Lösung
Anhaltender Schmierfett Brand	Schmierfett, das durch Lebensmittelansammlungen um das Brennersystem herum eingeschlossen wird	Drehen Sie die Knöpfe auf OFF. Schalten Sie das Gas an der Gasflasche aus. Lassen Sie den Deckel in Position und lassen Sie das Feuer ausbrennen. Nachdem der Grill abgekühlt ist, entfernen und reinigen Sie alle Teile.
Flashback (Feuer in Brennerrohr(en))	Brenner und Brennerrohre sind blockiert.	Drehen Sie die Knöpfe auf OFF. Reinigen Sie Brenner und/oder Brennerrohre. Siehe Abschnitt Brennerreinigung in Verwendung und Pflege.
Aufflammen	1. Fettablagerungen 2. Übermäßiges Fett im Fleisch 3. Übermäßige Kochtemperatur	1. Säubern Sie Brenner und innen des Grills / Feuerraums. 2. Fett vom Fleisch vor dem Grillen abschneiden. 3. Passen Sie (niedrigere) Temperatur an.
Gasflasche kann nicht gefüllt werden	Einige Händler haben ältere Fülldüsen mit verschlissenen Gewinden.	Beim Drehen abgenutzter Düsen haben sie nicht genug "Biss", um das Ventil zu engagieren. Versuchen Sie es mit einem verschiedenen Gas-Händler.
Ein Brenner leuchtet nicht von anderen Brennern	Fettablagerungen oder Speisereste am Ende des Verschleppungsrohrs	Reinigen Sie das Verschleppungsrohr mit Drahtbürste.

Wenn Ihr Problem anhand der oben genannten Informationen zur Fehlerbehebung nicht behoben werden kann, wenden Sie sich bitte an Ihren örtlichen Gashändler.

VORSICHT: Wenn die Brenner während des Betriebs ausgehen, schließen Sie die Gaszufuhr an der Quelle und schalten Sie alle Gasventile aus. Öffnen Sie den Deckel und warten Sie fünf Minuten, bevor Sie versuchen, sich wieder anzuzünden (dadurch können angesammelte Gasdämpfe beseitigt werden).

VORSICHT: Im Falle eines Fettbrandes die Gaszufuhr an der Quelle schließen, alle Brenner ausschalten und den Deckel geschlossen lassen, bis das Feuer erloschen ist.

VORSICHT: Versuchen Sie NICHT, eine Gasarmatur zu trennen, während der Grill verwendet wird. Wie bei allen Geräten sorgt die richtige Pflege und Wartung dafür, dass Ihr Grill in einem Top-Betriebszustand ist und seine Lebensdauer verlängert.

ENTSORGUNG



Entsorgen Sie den Grill unter keinen Umständen im normalen Haushaltsabfall!
Entsorgen Sie es an einer zugelassenen Entsorgungsstelle oder in Ihrer kommunalen Entsorgungsanlage. Beachten Sie die aktuellen gültigen Vorschriften. Im Zweifelsfall wenden Sie sich an Ihre Entsorgungseinrichtung.

DIREKTE HITZE

INNERE TEMPERATUR TABELLE FÜR RINDFLEISCH			
Kochgrad	Innere Kerntemperatur	Innere Beschreibung	Festigkeit
Blutig	52°C(125°F)	Die Mitte ist hellrot, zum äußeren Teil hin rosa und durchaus warm	das Fleisch fühlt sich weich an
Medium blutig	54°C-57°C (130°F-135°F)	Die Mitte ist sehr rosa, zum äußeren Teil hin leicht braun und leicht heiß	Fleisch fühlt sich nur leicht an
Medium	60°C-63°C (140°F-145°F)	Die Mitte ist hellrosa, der äußere Teil ist durchaus braun und heiß	Fleisch fühlt sich fest an
Medium durchgebraten	65°C-68°C (150°F-155°F)	Überwiegend braungrau mit einem Hauch von Rosa in der Mitte	Fleisch fühlt sich fest an
Gut durchgebraten	68°C(155°F) und höher	Steak ist durchaus braungrau	Fleisch fühlt sich fest oder hart an
INNERE TEMPERATUR TABELLE FÜR GEFLUGEL			
Ganzes Hühnerfleisch	74°C(165°F)	Kochen, bis die Saft klar sind	Fleisch fühlt sich fest an
Dunkles Fleisch	74°C(165°F)	Kochen bis durchaus weiß, aber immer noch saftig	Fleisch fühlt sich fest an
Brustfleisch	74°C(165°F)	Kochen bis durchaus weiß, aber immer noch saftig	Fleisch fühlt sich fest an
Oberschenkel, Flügel und Schenkel	74°C(165°F)	Überwiegend braungrau mit einem Hauch von Rosa in der Mitte	Fleisch fühlt sich fest an
INNERE TEMPERATUR TABELLE FÜR SCHWEINEFLEISCH			
Medium	65°C(150°F)	Rosa in der Mitte	
Gut durchgebraten	71°C(160°F) und mehr	Das Schweinefleisch ist gleichmäßig weiß/braun	
Schweinerippchen	82°C-93°C (180°F-200°F)	Blassweiß. Medium bis gut durchgebraten	
Rohe Wurst	71°C(160°F)	Nicht mehr rosa	
Wurst (vorgekocht)	60°C(140°F)	Nicht mehr rosa	

INDIREKTE HITZE

LEITFADEN ZUM KOCHEN MIT INDIREKTER HITZE			
Lebensmittel	Gewicht	Hitze Regelung	Zeit
Rinderbraten	3~6 lb. (1.5 kg ~ 3 kg)	MITTEL/NIEDRIG	2~4 hrs
Rinderbraten	6-11 lb. (3 kg ~ 5 kg)	MITTEL/NIEDRIG	3~5 hrs
Schweinsbraten	2~6 lb. (1 kg ~ 3 kg)	MITTEL/NIEDRIG	2~4 hrs
Schweinsbraten	6~11 lb. (3 kg ~ 5 kg)	MITTEL/NIEDRIG	3~5 hrs
Truthahn oder Huhn	2~5 lb. (1 kg ~ 2 kg)	MITTEL/NIEDRIG	2~4 hrs
Truthahn oder Huhn	5~11 lb. (2 kg ~ 5 kg)	MITTEL/NIEDRIG	3~5 hrs

Vielen Dank für den Kauf dieses Royal Gourmet® 4 Brenner Schrank Gasgrill.

Royal Gourmet garantiert, dass seine Produkte bei ordnungsgemäßer Montage, normalem Wohngebrauch und empfohlener Pflege frei von Material- und Verarbeitungsfehlern sind, für **1 Jahr Vollgarantie** ab dem Datum des ursprünglichen Einzelhandelskaufs. Die Garantie deckt keine Lackierung ab, da sie bei normalem Gebrauch abbrennen kann. **ROST gilt nicht als Herstellungs- oder Materialfehler.**

Für **5 Jahre** ab Kaufdatum wird **jeder rostlose Edelstahlbrenner kostenlos** ersetzt.

Innerhalb der angegebenen Garantiezeit ersetzt Royal Gourmet nach Ermessen defekte Komponenten kostenlos, wobei der Eigentümer für den Versand verantwortlich ist. Royal Gourmet behält sich das Recht vor, die Rücksendung defekter Teile zu verlangen, Porto und/oder Fracht vom Verbraucher zur Review und Examination im Voraus zu bezahlen. Im Falle von Problemen mit der Verfügbarkeit von Teilen behält sich Royal Gourmet das Recht vor, gleiche oder ähnliche Teile zu ersetzen. Nach dem Ablauf dieser Garantie ist alle diese Haftung zu Ende.

Hinweis: Für den Garantieservice ist ein datierter Kaufbeleg zusammen mit der Modellnummer und der Seriennummer erforderlich.

Die beschränkte Garantie erstattet Ihnen keine Kosten für Unannehmlichkeiten, Lebensmittel, Personen- oder Sachschäden. **Alle** Garantie Coverage erlischt, wenn dieser Grill jemals für kommerzielle oder Mietzwecke verwendet wird. Diese beschränkte Garantie gilt **NUR** für die Funktionalität des Produkts und deckt keine kosmetischen Probleme wie Kratzer, Dellen, Korrosion oder Verfärbungen durch Hitze, abrasive und chemische Reiniger oder Werkzeuge, die bei der Montage oder Installation des Geräts verwendet werden, Oberflächenrost oder die Verfärbung von Edelstahloberflächen ab.

ARTIKEL, DIE NICHT VON DER GARANTIELEISTUNG ABGEDECKT SIND

Alle Ausfälle oder Betriebsschwierigkeiten aufgrund von Unfall, Missbrauch, Zweckentfremdung, Alteration, falscher Anwendung, Vandalismus, unsachgemäßer Installation oder unsachgemäßer Wartung oder Reparatur oder Nichtdurchführung normaler und routinemäßiger Wartung, einschließlich, aber nicht beschränkt auf Schäden, die durch Insekten in den Brennerrohren verursacht werden, wie in der Bedienungsanleitung angegeben.

Verschlechterung oder Beschädigung durch Unwetter wie Hagel, Hurrikane, Erdbeben oder Tornados, Verfärbungen durch direkte oder in der Atmosphäre eingedrungene Chemikalien.

Kosten für Serviceanrufe zu Ihnen nach Hause.

Kosten für den Ausbau oder die Neuinstallation.

Abholung und Lieferung Ihres Produkts.

Versand- oder Transportkosten.

Arbeitskosten für Installation und Reparatur.

Haftung für indirekte oder Folgeschäden.

Diese beschränkte Garantie ist die einzige von Royal Gourmet gewährte Garantie und ersetzt **alle** anderen ausdrücklichen oder stillschweigenden Garantien, einschließlich stillschweigender Garantie, Marktgängigkeit oder Eignung für einen bestimmten Zweck. Weder Royal Gourmet noch der Einzelhandel, das dieses Produkt verkauft, sind befugt, Garantien zu geben oder Rechtsmittel zu versprechen, die über die oben genannten hinausgehen oder mit diesen unvereinbar sind.


Die **maximale Haftung** von Royal Gourmet's übersteigt in keinem Fall den Kaufpreis des Produkts, den der ursprüngliche Verbraucher Käufer bezahlt hat. Einige Staaten erlauben den Ausschluss oder die Beschränkung von Neben- oder Folgeschäden nicht. In einem solchen Fall sind die oben genannten Einschränkungen oder Ausschlüsse möglicherweise nicht anwendbar.


Bitte senden Sie keine Teile zurück, ohne vorher eine Rücksendegenehmigung von unserer Kundendienstabteilung einzuholen.

Bitte zögern Sie nicht, unseren Kundendienst zu kontaktieren, wenn Sie Fragen zur Montage, zur Garantie oder zum Zubehör benötigten Ersatzteile zur Verfügung.

 Royal Gourmet GmbH


 service@royalgourmeteu.com

 Lüscherhofstraße 71, 45356 Essen, Deutschland

 Mo.-Fr. 8:30 AM-5:00 PM, CET

Manufacturer's information:

 Ningbo Huige Outdoor Products Co., Ltd.


 No.333 Tianhai Road, Binhai Industrial Zone, Fenghua District, Ningbo, China


 info@huigeoutdoor.com

 <https://www.huigeoutdoor.com/contact/>

Herstellerinformationen:

 Ningbo Huige Outdoor Products Co., Ltd.


 Nr.333 Tianhai Straße, Binhai Industrielle Zone, Fenghua Distrikt, Provinz Zhejiang, China

 info@huigeoutdoor.com

 <https://www.huigeoutdoor.com/contact/>

Information du fabricant:

 Ningbo Huige Outdoor Products Co., Ltd.

 No.333 Tianhai Rue, Binhai Industrial, ZoneFenghua District, Zhejiang Province, Chine

 info@huigeoutdoor.com

 <https://www.huigeoutdoor.com/contact/>

Thank You For Choosing Us.

**Vielen Dank, dass Sie sich für uns entschieden haben.
Merci de nous avoir choisis.**

Any Problem! We Can Help

**Jedes Problem! Wir können helfen!
Toutes les questions! Nous pouvons vous aider!**

**Customer Service
Kundendienst
Service de Clientèle**

0800-00 60088

**Monday to Friday
8:30 am - 5:00 pm CET**

**Montag - Freitag
8:30 AM - 5:00 PM, CET**

**Du lundi au vendredi
de 8 h 30 à 17 h 00, CET**

service@royalgourmeteu.com